



Design protected by patent applications

### NORDIC 344-prolock

*Revolutionary space saving roll door design with integrated mechanical locking means*

*Available both as type 344-protec and type 344rollback*

### Safely locked in closed position

The all new NORDIC 344-prolock is developed to upgrade the wellknown NORDIC 344-protec and the NORDIC 344-rollback to an even higher level of safety.

The NORDIC machine protection doors have as standard safety switches integrated in the frames, providing a safe signal (cat 4, PLe) when the door is closed.

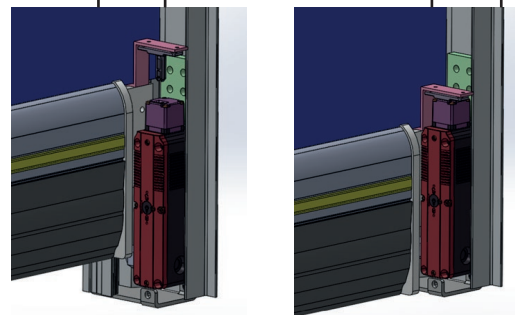
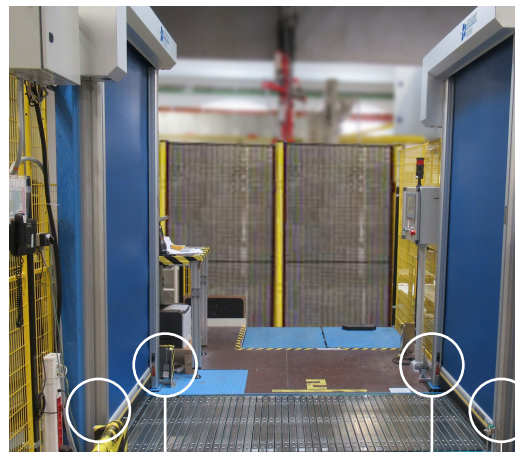
The NORDIC 344-prolock is developed to provide additional safety by locking the door mechanically from being opened before the machine behind has come to a complete stop.

The new safety device consists of a safety switch and an actuator, providing a safe signal (cat 4, PLe) when the door is closed. When the door is closed, the actuator is also mechanically locked into the safety switch. (safety: B<sub>100</sub>: 2 × 10<sup>6</sup> cycles). The door will then remain mechanically locked until a release signal is sent to the switch.

Both the switch and the actuator are built into the frame of the door, where they are protected from damage and cannot be manipulated unless the door frame is dismantled. No additional brackets, that can create danger for the operator, are mounted onto the outside of the frame.

Switches are mounted in both frames (left- and right) and in front of the switches there are inspection windows.

European patent no 3951125



The door is not closed, the key is free to move with the door

The door is closed, signal "door closed" is activated and the key is locked into the switch

NORDIC<sup>®</sup> 344 prolock

NORDIC door ab • Box 4056 • SE-300 04 Halmstad • SWEDEN

phone: +46 35 10 00 30 • e-mail: info@nordicdoor.se • http://www.nordicdoor.se

*NORDIC machine protection doors are currently installed in more than 40 countries!*